

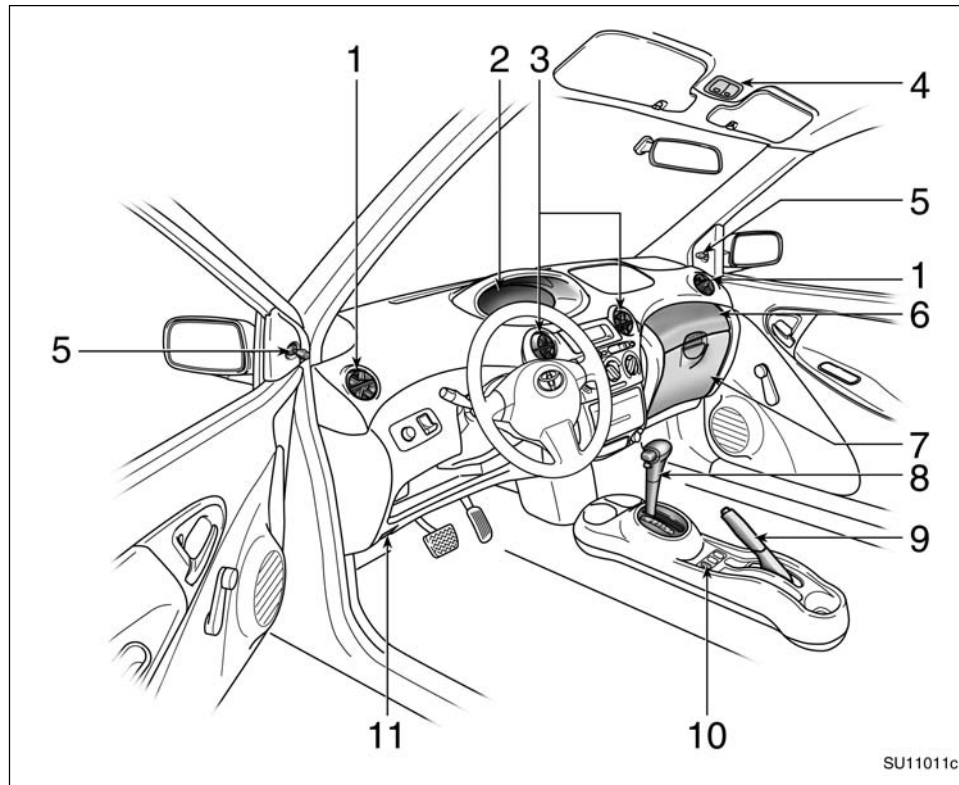
SECTION 1 - 1

OPERATION OF INSTRUMENTS AND CONTROLS

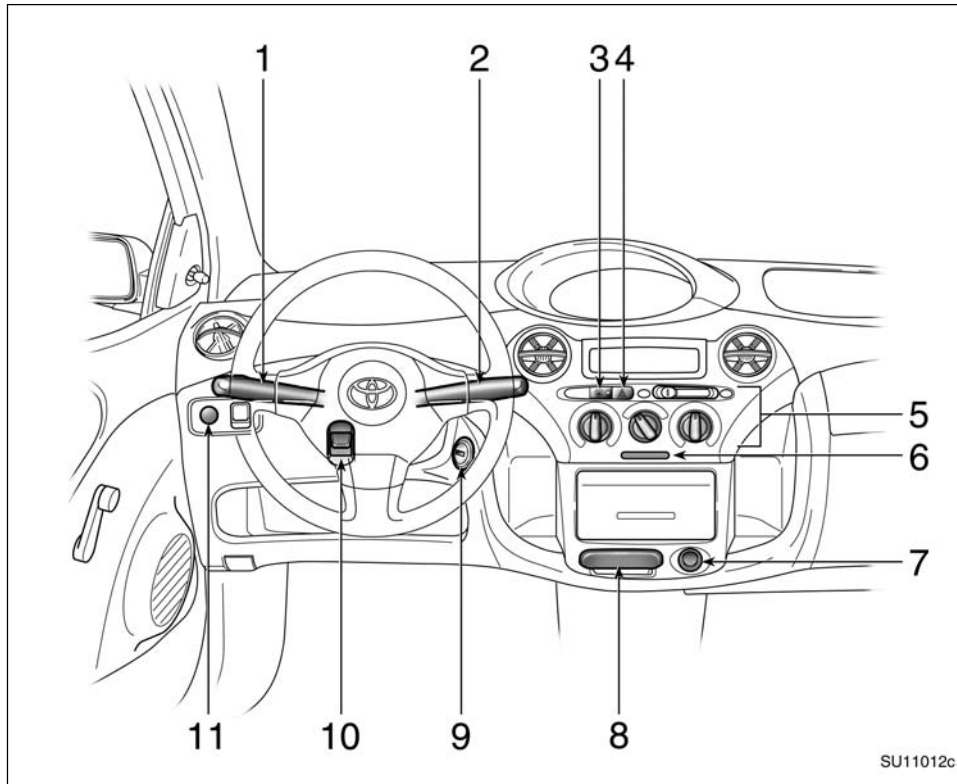
Overview of instruments and controls

| | |
|---|---|
| Instrument panel overview | 2 |
| Instrument cluster overview | 4 |
| Indicator symbols on the instrument panel | 5 |

Instrument panel overview

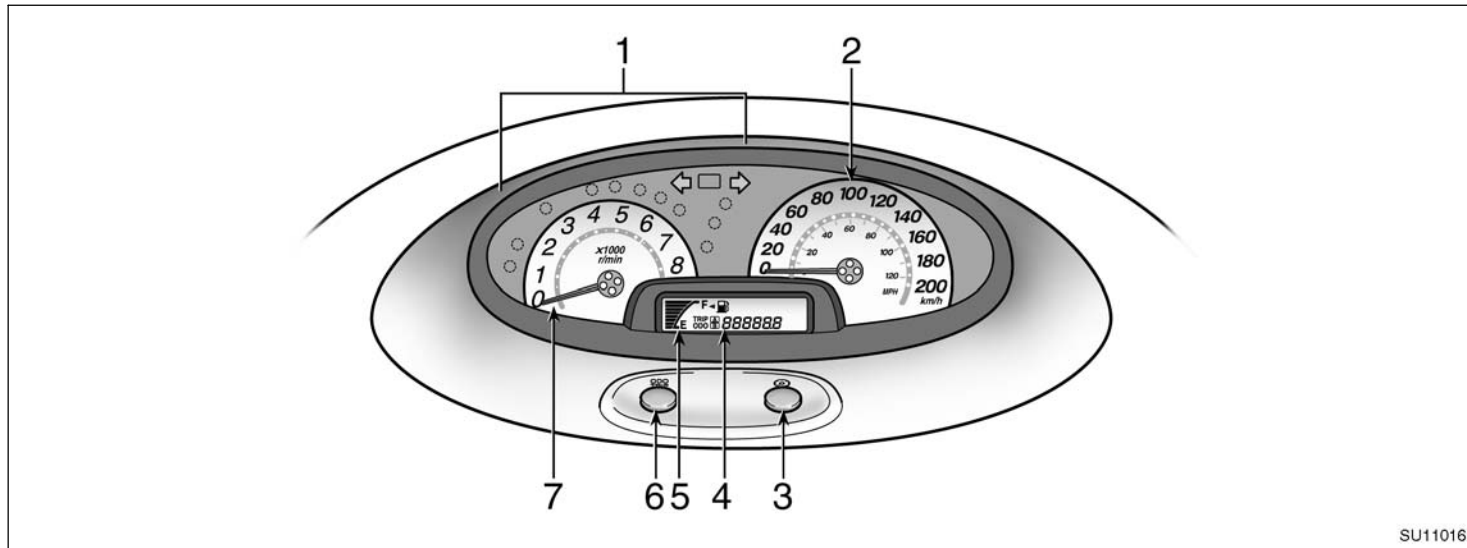


1. Side vents
2. Instrument cluster
3. Center vents
4. Personal lights
5. Rear view mirror remote control levers
6. Auxiliary box
7. Glove box
8. Automatic transmission selector lever or manual transmission gear shift lever
9. Parking brake lever
10. Power door lock switch
11. Hood lock release lever



1. Headlight and turn signal switches
2. Wiper and washer switches
3. Rear window defogger switch
4. Emergency flasher switch
5. Air conditioning controls
6. Front passenger's seat belt reminder light
7. Cigarette lighter
8. Ashtray
9. Ignition switch
10. Tilt steering lock release lever
11. Instrument panel light control knob

Instrument cluster overview

















SU11016

- 1. Service reminder indicators and indicator lights
- 2. Speedometer
- 3. Exinction canceling button

- 4. Odometer and two trip meters
- 5. Fuel gauge

- 6. Trip meter reset button
- 7. Tachometer

Indicator symbols on the instrument panel

| | | | |
|---|--|---|--|
|  | Brake system warning light*1 |  | Low fuel level indicator light*1 |
|  | Driver's seat belt reminder light*1 |  | Low windshield washer fluid level warning light*1 |
| PASSENGER  | Front passenger's seat belt reminder light*1 |  | Turn signal indicator lights |
|  | Discharge warning light*1 |  | Headlight high beam indicator light |
|  | Malfunction indicator lamp*1 | O/D OFF | Overdrive-off indicator light |
|  | Low engine oil pressure warning light*1 |  | Low engine coolant temperature indicator light (in blue)*2 High engine coolant temperature warning light (in red)*1 |
|  | Anti-lock brake system warning light*1 | | |
|  | Open door warning light*1 | | |
|  | SRS warning light*1 | | |

*1: For details, see "Service reminder indicators and warning buzzers" in Section 1-6.

*2: For details, see "Engine coolant temperature indicator and warning light" in Section 1-6.

04 05.18