

REMOVAL

1. REMOVE FRONT DOOR SCUFF PLATE

Insert a screwdriver between the front door scuff plate and body to pry it out.

HINT:

Tape the screwdriver tip before use.

2. REMOVE FRONT DOOR OPENING TRIMS

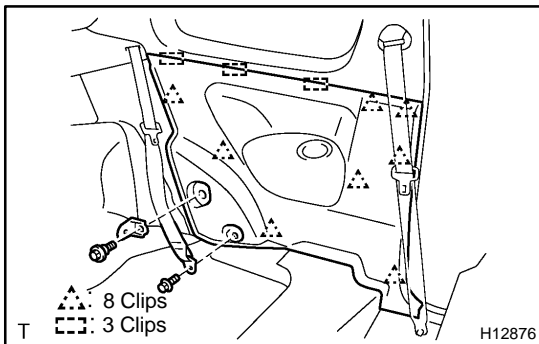
Remove the front door opening trims except cowl side trim parts.

3. REMOVE REAR SEAT CUSHION

(See page [BO-101](#) or [BO-106](#))

4. REMOVE REAR SEATBACK

(See page [BO-101](#) or [BO-106](#))



5. REMOVE QUARTER TRIM

(a) Remove the bolt and rear seat outer belt floor anchor.

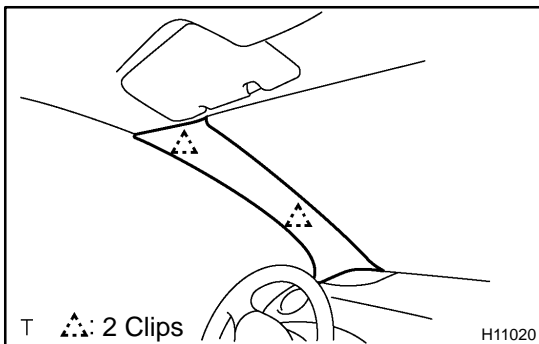
(b) w/ Split type rear seat:

Remove the bolt and rear seatback hinge.

(c) Insert a screwdriver between the quarter trim and body to pry it out.

HINT:

Tape the screwdriver tip before use.

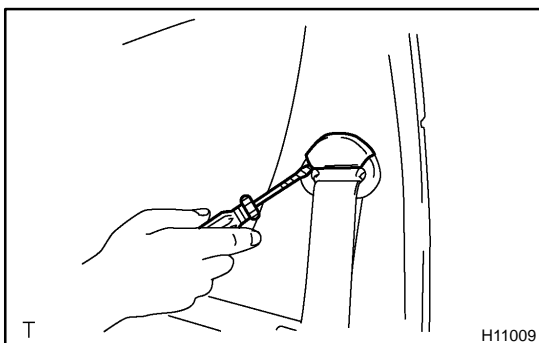


6. REMOVE FRONT PILLAR GARNISH

Using a screwdriver, remove the front pillar garnish.

HINT:

Tape the screwdriver tip before use.



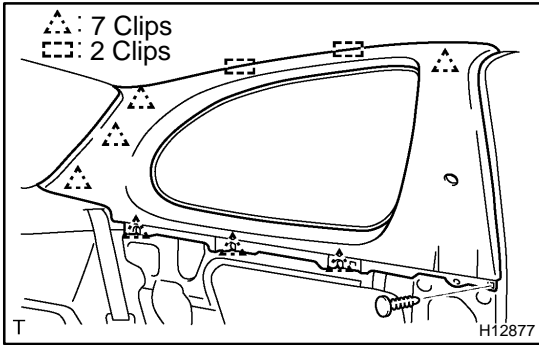
7. REMOVE ROOF SIDE INNER GARNISH

(a) Using a screwdriver, open the seat belt shoulder anchor cover cap.

HINT:

Tape the screwdriver tip before use.

(b) Remove the bolt and front seat outer belt shoulder anchor.



- (c) Remove the clip.
- (d) Insert a screwdriver between the roof side inner garnish and body to pry it out.

HINT:

Tape the screwdriver tip before use.

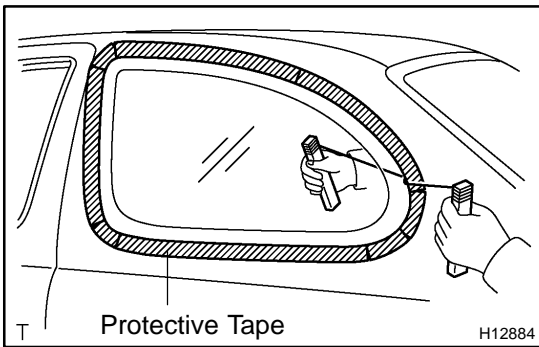
8. REMOVE ASSIST GRIP

- (a) Using a screwdriver, open the caps.

HINT:

Tape the screwdriver tip before use.

- (b) Remove the 2 screws.
- (c) Remove the assist grip.



9. REMOVE QUARTER WINDOW GLASS

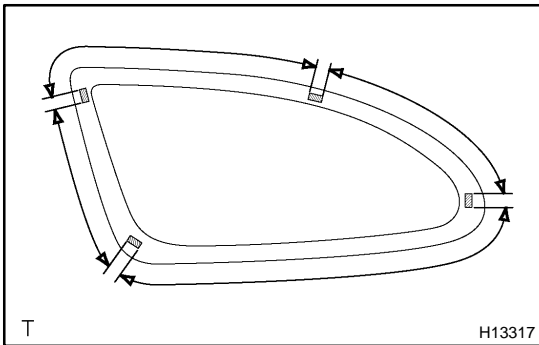
- (a) Push a piano wire through from the interior.
- (b) Tie both wire ends to wooden blocks or similar objects.

HINT:

Apply protective tape to the outer surface to keep the surface from being scratched.

NOTICE:

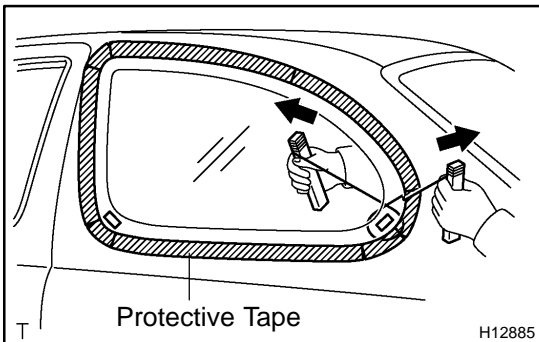
When separating the glass, take care not to damage the paint and exterior.



- (c) Cut the adhesive by pulling the piano wire around it.

HINT:

Cut the adhesive areas as shown in the illustration, leaving the adhesive where the spacers are.



- (d) Push the piano wire through as shown in the illustration, cut off the adhered part to the clips.
- (e) Remove the glass.

NOTICE:

Leave as much of the adhesive on the body as possible when cutting off the glass.