

<b>DTC</b>	<b>P0773</b>	<b>Shift Solenoid E Electrical Malfunction (Shift Solenoid Valve SL)</b>
------------	--------------	--

### CIRCUIT DESCRIPTION

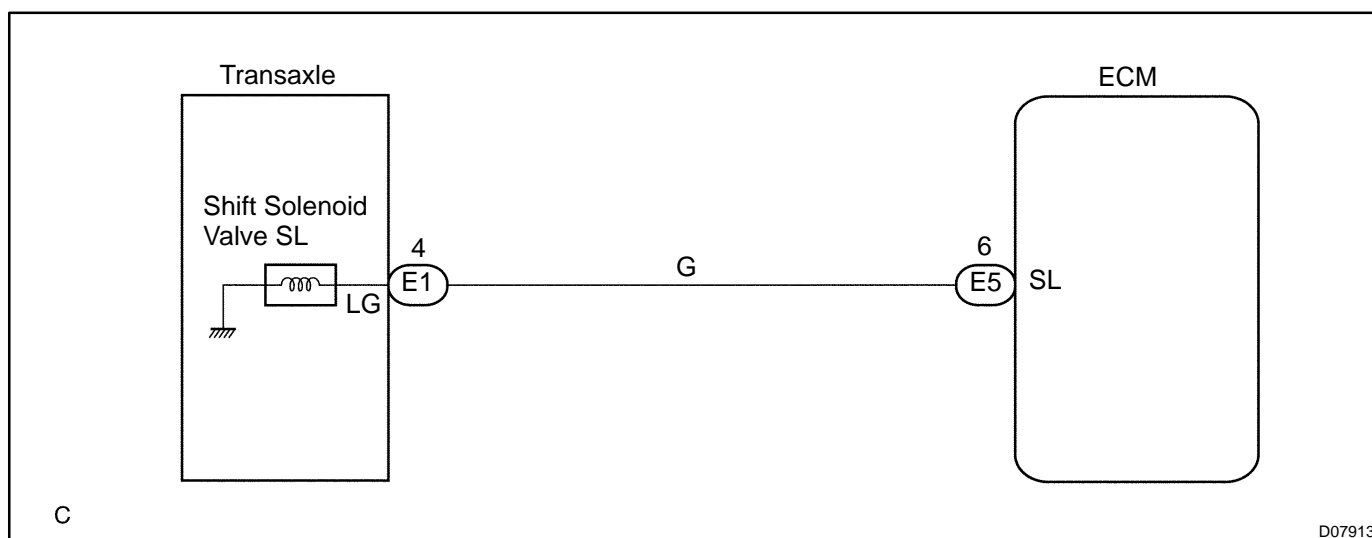
The shift solenoid valve SL is turned ON and OFF by signals from the ECM to control the hydraulic pressure acting on the lock-up relay valve, which then controls operation of the lock-up clutch.

Fail safe function:

If the ECM detects a malfunction, it turns the shift solenoid valve SL OFF.

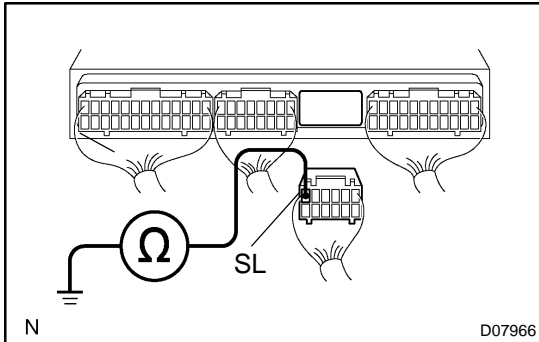
DTC No.	DTC Detecting Condition	Trouble Area
P0773	Either (a) or (b) is detected for 1 time. (2-trip detection logic) (a) Solenoid resistance is 8 Ω or less when solenoid is energized. (b) Solenoid resistance is 100 kΩ or more when solenoid is not energized.	<ul style="list-style-type: none"> <li>• Open or short in shift solenoid valve SL circuit</li> <li>• Shift solenoid valve SL</li> <li>• ECM</li> </ul>

### WIRING DIAGRAM



## INSPECTION PROCEDURE

- 1 Measure resistance between terminal SL of ECM and body ground.**

**PREPARATION:**

Disconnect the connector from ECM.

**CHECK:**

Measure resistance between terminal SL of ECM and body ground.

**OK:**

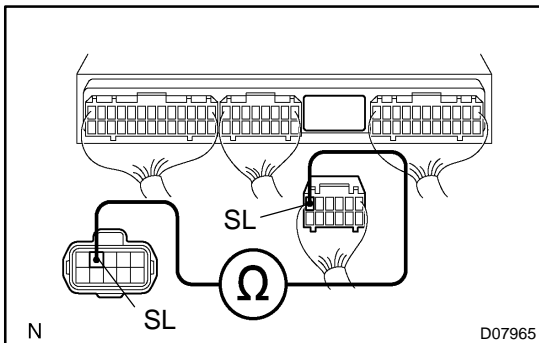
Resistance: 11 - 15  $\Omega$  at 20 °C (68 °F)

**OK**

Check and replace the ECM (See page [IN-29](#) ).

**NG**

- 2 Measure resistance of harness and connector between ECM and automatic transaxle solenoid connector.**

**PREPARATION:**

Disconnect the solenoid connector from the transaxle.

**CHECK:**

Measure resistance of the harness and connector between terminal SL of ECM and terminal SL of solenoid connector.

**OK:**

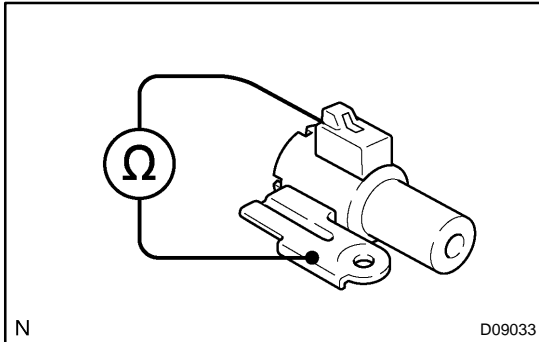
Resistance: 0  $\Omega$

**NG**

Repair or replace the harness or connector.

**OK**

<b>3</b>	<b>Check shift solenoid valve SL.</b>
----------	---------------------------------------

**PREPARATION:**

- (a) Jack up the vehicle.
- (b) Remove the oil pan.
- (c) Disconnect the shift solenoid valve SL connector.
- (d) Remove the shift solenoid valve SL.

**CHECK:**

Measure resistance between terminal SL of shift solenoid valve and solenoid body.

**OK:**

**Resistance: 11 - 15 Ω at 20 °C (68 °F)**

**NG**

**Replace the shift solenoid valve SL.**

**OK**

**Replace or repair the solenoid wire, harness and connector between ECM and automatic transaxle solenoid connector.**