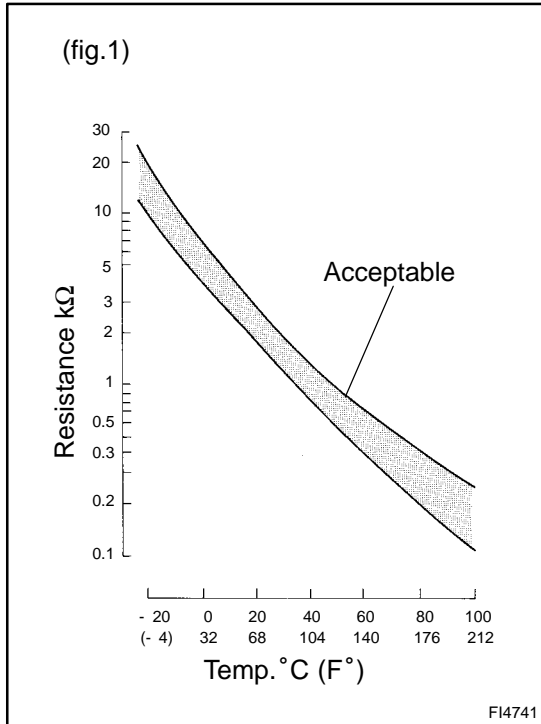


<b>DTC</b>	<b>P0110</b>	<b>Intake Air Temp. Circuit Malfunction</b>
------------	--------------	---

**CIRCUIT DESCRIPTION**



The intake air temp. sensor is built into the mass air flow meter and senses the intake air temperature.

A thermistor built in the sensor changes the resistance value according to the intake air temperature, the lower the intake air temperature, the greater the thermistor resistance value, and the higher the intake air temperature, the lower the thermistor resistance value (See fig.1).

The air intake temperature sensor is connected to the ECM (See below). The 5V power source voltage in the ECM is applied to the intake air temp. sensor from the terminal THA via a resistor R.

That is, the resistor R and the intake air temp. sensor are connected in series. When the resistance value of the intake air temp. sensor changes in accordance with changes in the intake air temperature, the potential at terminal THA also changes. Based on this signal, the ECM increases the fuel injection volume to improve driveability during cold engine operation.

If the ECM detects the DTC "P0110", it operates the fail safe function in which the intake air temperature is assumed to be 20°C (68°F).

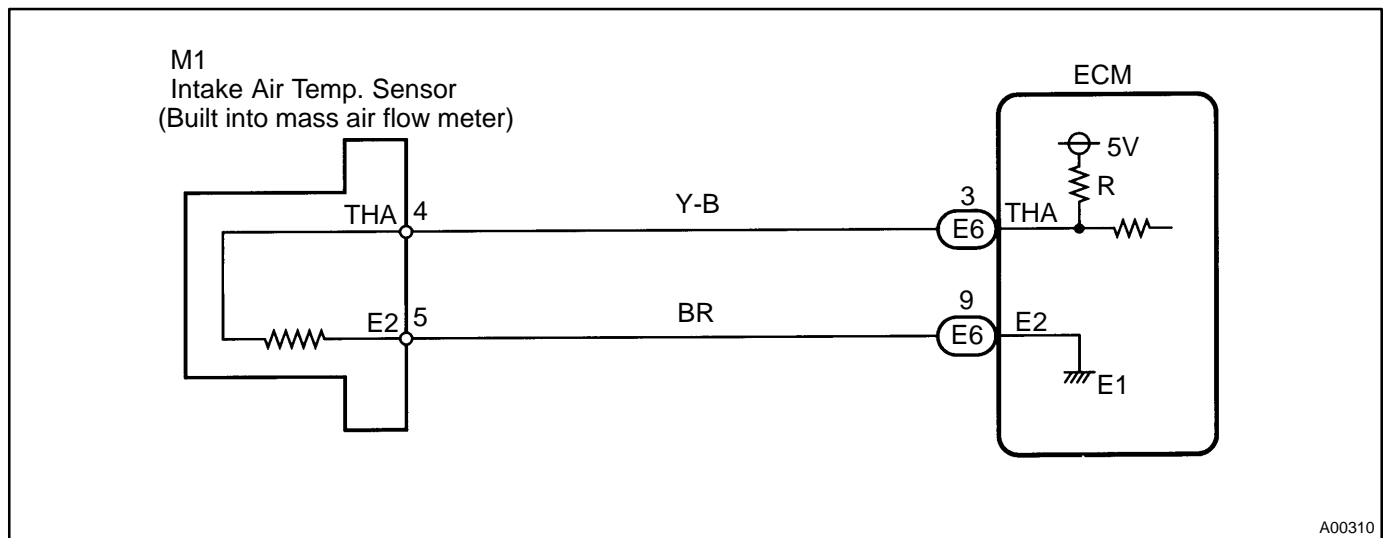
DTC No.	DTC Detecting Condition	Trouble Area
P0110	Open or short in intake air temp. sensor circuit	<ul style="list-style-type: none"> <li>• Open or short in intake air temp. sensor circuit</li> <li>• Intake air temp. sensor (built into mass air flow meter)</li> <li>• ECM</li> </ul>

**HINT:**

After confirming DTC P0110, use the OBD II scan tool or TOYOTA hand-held tester to confirm the intake air temperature from CURRENT DATA.

Temperature Displayed	Malfunction
-40 °C (-40°F)	Open circuit
140 °C (284°F) or more	Short circuit

## WIRING DIAGRAM



## INSPECTION PROCEDURE

### HINT:

- If DTC P0110 (Intake Air Temp. Circuit Malfunction), P0115 (Engine Coolant Temp. Circuit Malfunction) and P0120 (Throttle/Pedal Position Sensor/Switch "A" Circuit Malfunction) are output simultaneously, E2 (sensor ground) may be open.
- Read freeze frame data using TOYOTA hand-held tester or OBD II scan tool. Because freeze frame records the engine conditions when the malfunction is detected, when troubleshooting it is useful for determining whether the vehicle was running or stopped, the engine warmed up or not, the air-fuel ratio lean or rich, etc. at the time of the malfunction.

**1 Connect OBD II scan tool or TOYOTA hand-held tester, and read value of intake air temperature.**

**PREPARATION:**

- (a) Connect the OBD II scan tool or TOYOTA hand-held tester to DLC3.
- (b) Turn the ignition switch ON and push the OBD II scan tool or TOYOTA hand-held tester main switch ON.

**CHECK:**

Read temperature value on the OBD II scan tool or TOYOTA hand-held tester.

**OK:**

**Same as actual air intake temperature.**

**HINT:**

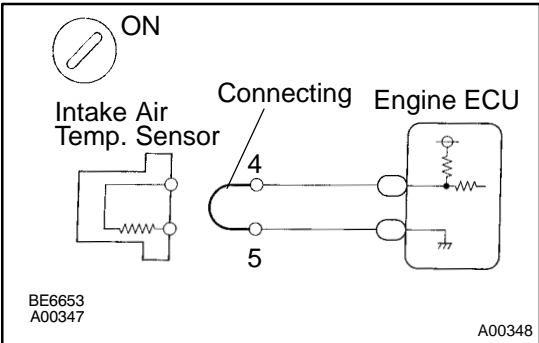
- If there is open circuit, OBD II scan tool or TOYOTA hand-held tester indicates - 40°C (- 40°F).
- If there is short circuit, OBD II scan tool or TOYOTA hand-held tester indicates 140°C (284°F) or more.

**NG** -40°C (-40°F) ....Go to step 2.  
140°C (284°F) or more ....Go to step 4.

**OK**

**Check for intermittent problems (See page DI-3).**

**2 Check for open in harness or ECM.**



**PREPARATION:**

- (a) Disconnect the intake temp. sensor connector.
- (b) Connect sensor wire harness terminals together.
- (c) Turn the ignition switch ON.

**CHECK:**

Read temp. value on the OBD II scan tool or TOYOTA hand-held tester.

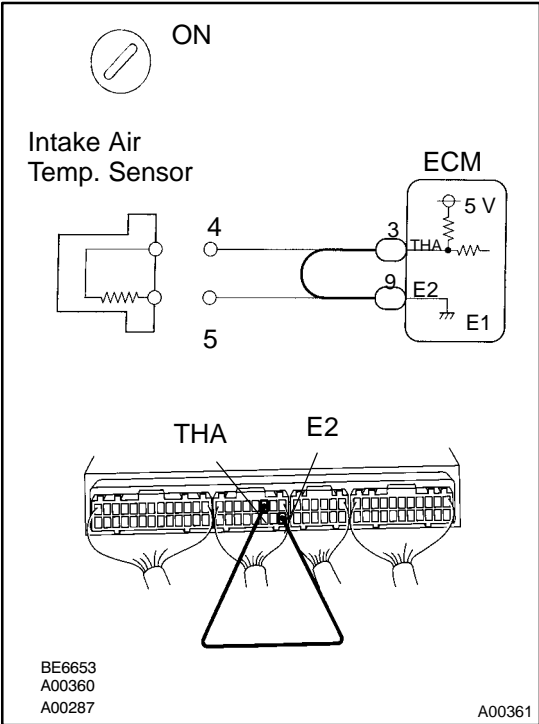
**OK:**

**Temp. value: 140°C (284°F) or more**

**OK** Confirm good connection at sensor. If OK, replace intake air temp. sensor.

**NG**

**3 Check for open in harness or ECM.**



**PREPARATION:**

- (a) Remove the connector cover from the ECM.
- (b) Connect between terminals THA and E2 of the ECM connector.

**HINT:**

In take air temp. sensor connector is disconnected. Before checking, do a visual and contact pressure check for the ECM connector (See page [IN-29](#)).

- (c) Turn the ignition switch ON.

**CHECK:**

Read temperature value on the OBD II scan tool or TOYOTA hand-held tester.

**OK:**

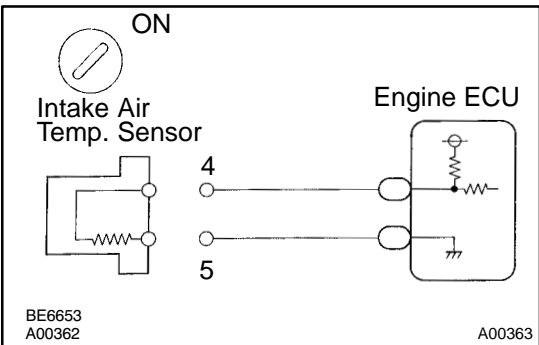
**Temperature value: 140°C (284°F) or more**

**OK** → **Open in harness between terminals E2 or THA, repair or replace harness.**

**NG**

**Confirm good connection at ECM. If OK, check and replace ECM (See page [IN-29](#)).**

**4 Check for short in harness and ECM.**



**PREPARATION:**

- (a) Disconnect the mass air flow meter connector.
- (b) Turn the ignition switch ON.

**CHECK:**

Read temperature value on the OBD II scan tool or TOYOTA hand-held tester.

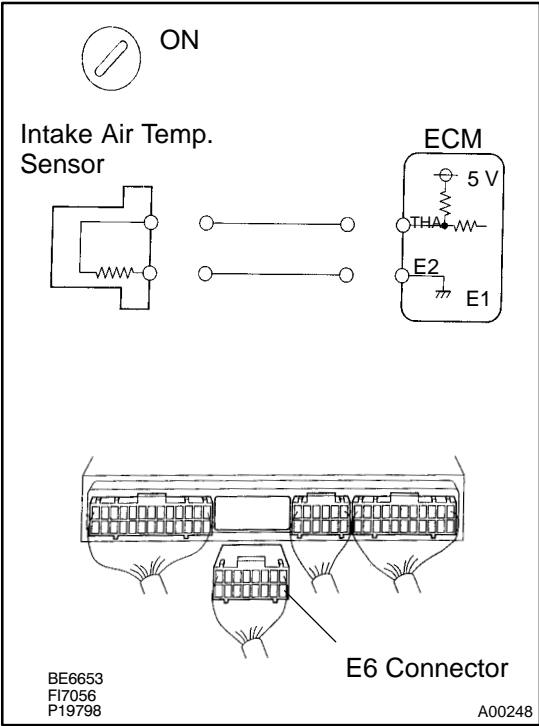
**OK:**

**Temperature value: -40°C (-40°F)**

**OK** → **Replace mass air flow meter.**

**NG**

**5 Check for short in harness or ECM.**



**PREPARATION:**

- (a) Remove the connector cover from the ECM.
- (b) Disconnect the E6 connector of the ECM.

**HINT:**

Intake air temp. sensor connector is disconnected.

- (c) Turn the ignition switch ON.

**CHECK:**

Read temperature value on the OBD II scan tool or TOYOTA hand-held tester.

**OK:**

Temperature value: -40°C (-40°F)

**OK** → **Repair or replace harness or connector.**

**NG**

**Check and replace ECM (See page [IN-29](#)).**