

<b>DTC</b>	<b>B1135/24</b>	<b>Half Connection in Airbag Sensor Assembly Connector</b>
------------	-----------------	--

## CIRCUIT DESCRIPTION

The airbag sensor assembly detects partial connection of connector.

For details of the function of each component, see OPERATION on page [RS-2](#).

DTC B1135/24 is recorded when the airbag sensor assembly detects an open in the electrical connection check mechanism of the airbag sensor connector or in the airbag sensor circuit.

DTC No.	DTC Detecting Condition	Trouble Area
B1135/24	<ul style="list-style-type: none"> <li>• Malfunction of electrical connection check mechanism of airbag sensor assembly connector</li> <li>• Airbag sensor assembly malfunction</li> </ul>	<ul style="list-style-type: none"> <li>• Electrical connection check mechanism</li> <li>• Airbag sensor assembly</li> </ul>

## INSPECTION PROCEDURE

1 Are connector of center airbag sensor assembly properly connected?

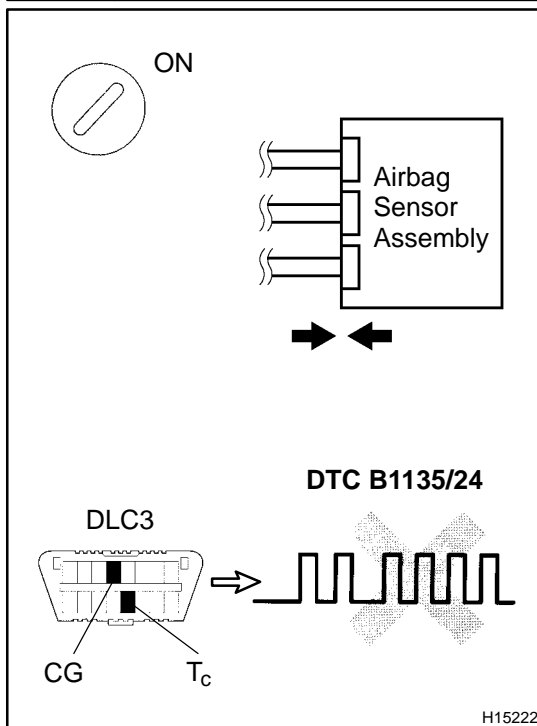
NG

Connect connectors.

OK

2 Prepare for inspection (See step 1 on page [DI-390](#) ).

3 Check airbag sensor assembly.

**PREPARATION:**

- Connect the connectors to the airbag sensor assembly.
- Connect negative (-) terminal cable to the battery, and wait at least for 2 seconds.

**CHECK:**

- Turn the ignition switch to LOCK, and wait at least for 20 seconds.
- Turn the ignition switch to ON, and wait at least for 20 seconds.
- Clear the DTC stored in memory (See page [DI-239](#) ).
- Turn the ignition switch to LOCK, and wait at least for 20 seconds.
- Turn the ignition switch to ON, and wait at least for 20 seconds.
- Check the DTC (See page [DI-239](#) ).

**OK:**

**DTC B1135/24 is not output.**

**HINT:**

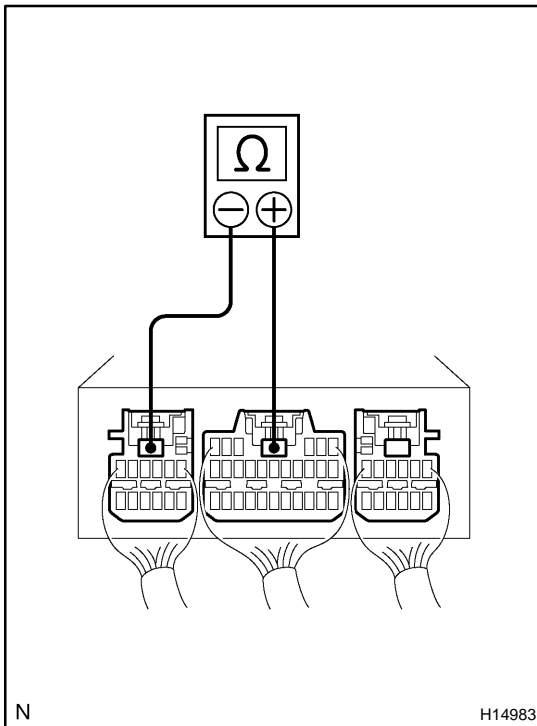
Codes other than code B1135/24 may be output at this time, but they are not relevant to this check.

NG

Go to the next step.

OK

From the results of the inspection, the malfunctioning part can now be considered normal. To make sure of this, use the simulation method to check.

**4 Check disconnection detection pin in the center airbag sensor assembly connector.****CHECK:**

With 3 connectors connected to the sensor assembly, place tester leads onto any 2 of 3 disconnection detection pins and check for continuity.

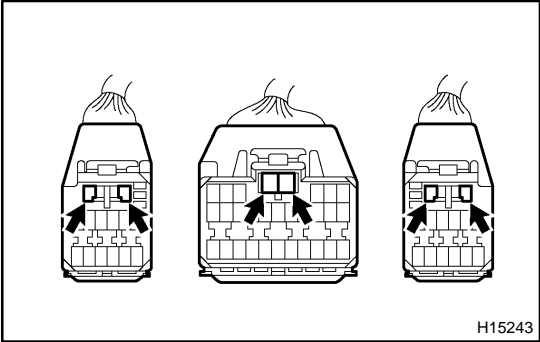
**OK:**

**Continuity**

**NG****Go to the next step.****OK**

**From the results of the inspection, the malfunctioning part can now be considered normal. To make sure of this, use the simulation method to check.**

**5 Perform a visual check of the disconnection detection pin.**



**OK:**  
No deformation is identified.  
**HINT:**  
Compare it with the other 2 connector pins.

**NG** Repair or replace airbag sensor assembly connector.

**OK**

**Replace airbag sensor assembly.**