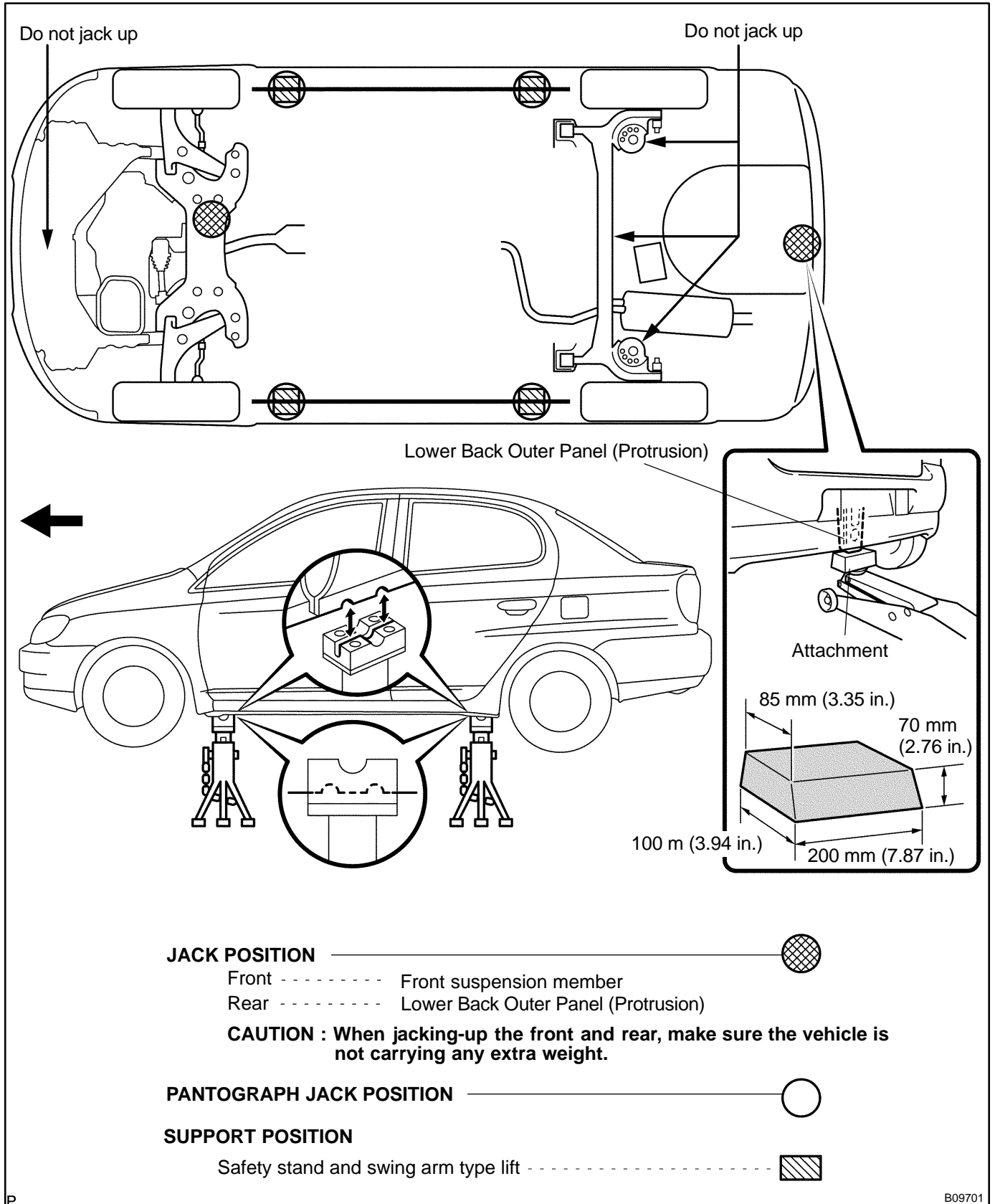


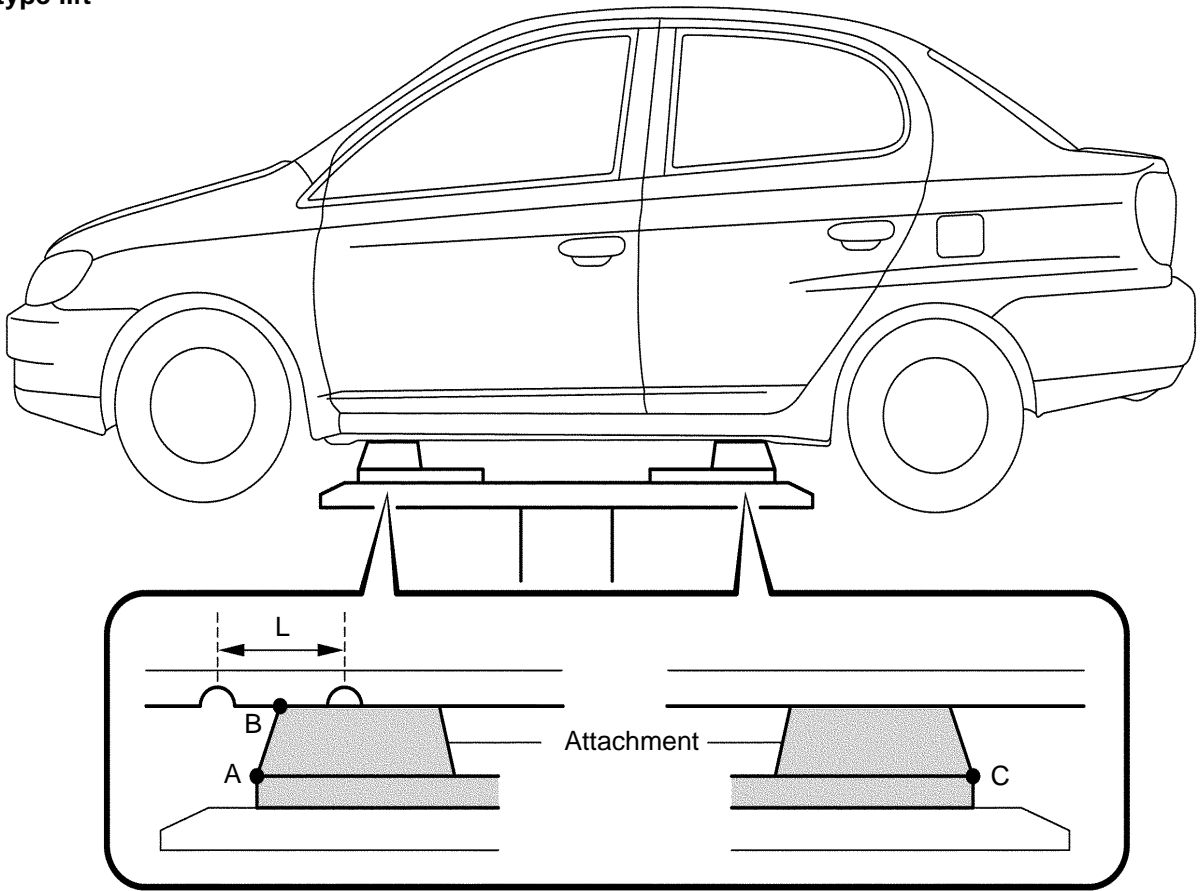
VEHICLE LIFT AND SUPPORT LOCATIONS



P

B09701

Plate type lift



HINT:

- | | |
|-----------------------------------------------------------------------|-------------------------------------------------------------------------------------------------------------------------------------------------------------------------------------------------------------------------------------------------------------------------------------------------------------------------|
| <p>Right and left set position</p> <p>Front and rear set position</p> | <p>Place the vehicle over the center of the lift.</p> <ul style="list-style-type: none"> ● Align the cushion gum ends of the plate with the attachment lower ends (A, C) horizontally to the vehicle. ● Align the attachment upper end (B) with the center of the front jack support point (L). |
|-----------------------------------------------------------------------|-------------------------------------------------------------------------------------------------------------------------------------------------------------------------------------------------------------------------------------------------------------------------------------------------------------------------|

Attachment dimensions

